

Single Axle Outside Rail Hoist OR Series



- No CDL Required, on some models reducing total cost of operation
- Short wheel base enables it to fit in tight areas
- No F.E.T. keeping your cost per haul down
- Low load angle without losing your dump angle
- 50 degree dump angle
- Fast cycle time keeps drivers on the road

The Galfab Advantage



Outboard Supported Lift Brackets

Lift brackets increase stability when hoist is in the up position.



Compact Size

Compact size makes it ideal for jobs outside the waste industry.



Outside Control Valve

Controls are easy access and makes maintenance very accessible.



Outboard Supported Side Rollers

Rollers are bolted to the side of the frame, allowing for easier replacement and better support of the container.



Standard Features

- 8x4x3/8" Tube Main Frame
- 4x3x3/16" Tube Sub Frame
- All Working Points Greasable
- 1" Spring Loaded Container Stops
- 2 1/2" diameter Lift Shaft
- 10" diameter Cable Sheaves
- Sealed Lighting System
- Hydraulic Reservoir
- Hoist Up Alarm
- Back Up Alarm
- 5/8" Cable

Options

- Behind Cab Tank
- Front Mount Pump
- PTO
- Tool Boxes
- Auxiliary Stops
- Poly or Steel Fenders
- Tarping Systems

DISTRIBUTED BY:

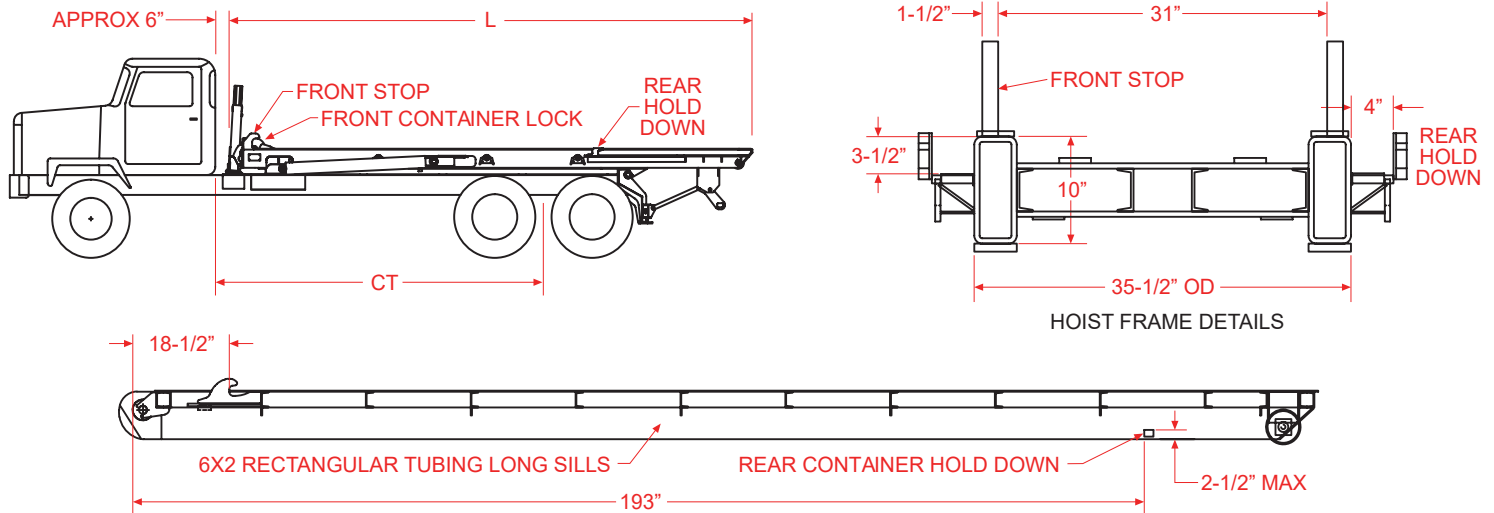


612 West 11th Street Winamac, IN 46996
(877) 504-1622

galfab.com



Specifications



OUTSIDE RAIL CONTAINER REQUIREMENTS

Model	Rated Cap.	Type	CA	Hoist Length	Rear Hinge Diameter	Main Frame Tube	Upper Lift Shaft	Sub Frame Tube	Recommended Container Length
OR 20102 S046	20,000#	Outside Rail	102"	190°	2"	7"	1 1/4"	4"	10' - 14'
OR 20138 S046	20,000#	Outside Rail	138"	227°	2"	8"	1 1/4"	4"	14' - 16'
OR 30124 S046	30,000#	Outside Rail	124"	214°	2"	8"	2 1/2"	2"	12' - 14'
OR 30138 S054	30,000#	Outside Rail	138"	227°	2"	8"	1 1/4"	4"	14' - 16'
OR 30156 S054	30,000#	Outside Rail	156"	245°	2"	8"	1 1/4"	4"	14' - 16'
OR 30168 S066	30,000#	Outside Rail	168"	257°	2"	8"	1 1/4"	4"	16' - 20'
OR 30187 S066	30,000#	Outside Rail	276"	276°	2"	8"	1 1/4"	4"	18' - 22'

* Cycle Times are Factory developed and controlled by PTO output, oil viscosity, human and mechanical efficiency, and may vary accordingly.

CAUTION: This Equipment Should be Operated by Properly Trained Personnel. Improper Use, Misuse or Lack of Maintenance Could Cause Injury to Persons or Property. Photos used in this brochure are illustrative only. We reserve the right to make changes at any time without notice. Information contained within this literature is believed to be the most accurate available at the time of printing.

All dimensions are subject to steel and manufacturing tolerances.

Optional Features



Rigid Bumper



Poly Fender



Steel Fender



612 West 11th Street
Winamac, IN 46996
(877) 504-1622



galfab.com

