

# Single Axle Extendable Tail Hoist EX Series



- No CDL Required, on some models reducing total cost of operation
- Short wheel base enables it to fit in tight areas
- No F.E.T. keeping your cost per haul down
- Low load angle without losing your dump angle
- 50 degree dump angle
- Fast cycle time keeps drivers on the road



## The Galfab Advantage



### Outboard Supported Lift Brackets

Lift brackets increase stability when hoist is in the up position.



### Low Loading Angle

Low Load Angle and compact size make it great for parking garages and carrying and unloading heavy equipment.



### Pintle Hook

Optional Pintle Hooks make the hoist even more versatile.



### Outside Control Valve

Controls are easy access and makes maintenance very accessible.

## Standard Features

- 8x4x3/8" Tube Main Frame
- 4x3x3/16" Tube Sub Frame
- All Working Points Greasable
- 1" Spring Loaded Container Locks
- 2 1/2" Diameter Lower Lift Cylinder Shafts
- 10" Diameter Cable Sheaves
- Sealed Lighting System
- Hydraulic Reservoir
- Hoist Up Alarm
- Back Up Alarm
- 5/8" Cable

## Options

- Behind Cab Tank
- Front Mount Pump
- PTO
- Tool Boxes
- Auxiliary Stops
- Poly or Steel Fenders
- Tarping Systems
- Pintle Hook

DISTRIBUTED BY:

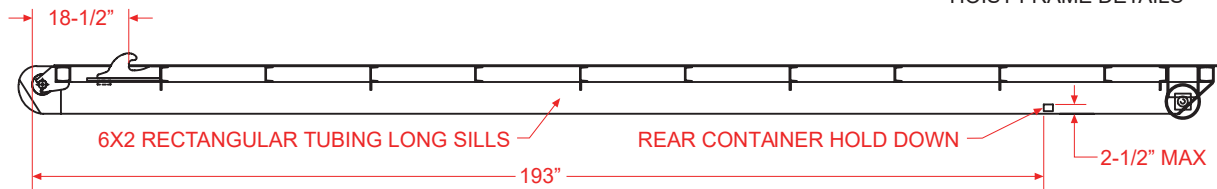
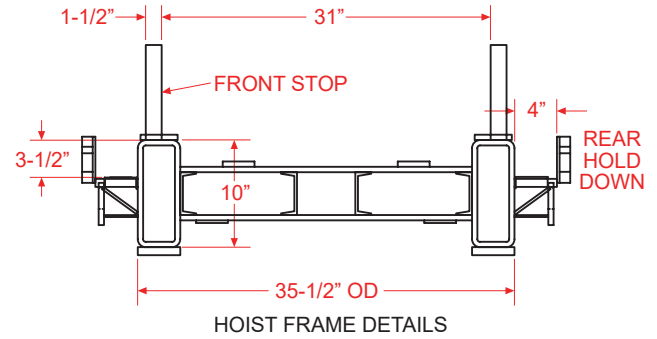
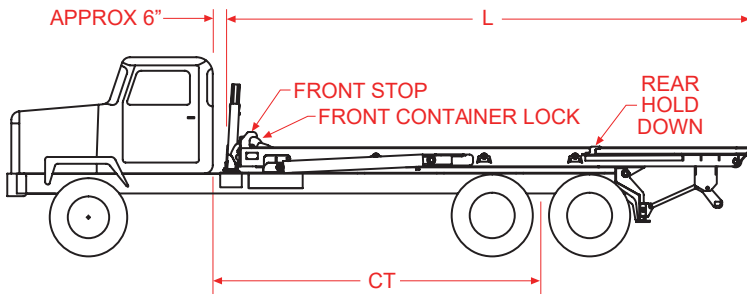


612 West 11th Street Winamac, IN 46996  
(877) 504-1622

[galfab.com](http://galfab.com)



# Specifications



## OUTSIDE RAIL CONTAINER REQUIREMENTS

Model	Rated Cap.	Type	CA	Hoist Length	Rear Hinge Diameter	Main Frame Tube	Upper Lift Shaft	Tall Frame Tube	Sub Frame Tube	Recommended Container Length	S
EX 20119 S048	20,000#	Extendible Tail	119°	175" - 216 1/2"	2"	8°	1 1/4"	7"	2"	10' - 14'	128 1/2"
EX 30108 S054	20,000#	Extendible Tail	108°	164" - 206 1/2"	2"	8°	2 1/2"	7"	2"	14' - 16'	128 1/2"
EX 30110 S054	30,000#	Extendible Tail	110°	164" - 206 1/2"	2"	8°	1 1/4"	7"	2"	12' - 14'	128 1/2"
EX 30119 S054	30,000#	Extendible Tail	119°	175" - 217"	2"	8°	1 1/4"	7"	2"	14' - 16'	128 1/2"
EX 30138 S054	30,000#	Extendible Tail	138°	192" - 252"	2"	8°	1 1/4"	7"	2"	14' - 16'	160 1/2"
EX 30156 S054	30,000#	Extendible Tail	156°	210" - 270"	2"	8°	1 1/4"	7"	2"	16' - 20'	174 1/2"

\* Cycle Times are Factory developed and controlled by PTO output, oil viscosity, human and mechanical efficiency, and may vary accordingly.

CAUTION: This Equipment Should be Operated by Properly Trained Personnel. Improper Use, Misuse or Lack of Maintenance Could Cause Injury to Persons or Property. Photos used in this brochure are illustrative only. We reserve the right to make changes at any time without notice. Information contained within this literature is believed to be the most accurate available at the time of printing.

All dimensions are subject to steel and manufacturing tolerances.

## Additional Features



Tail to Ground with Side Roller



Valve Bank with Mounting Plate and Tarp Controls



3 Spool Inside Controls



612 West 11th Street  
Winamac, IN 46996  
(877) 504-1622



[galfab.com](http://galfab.com)

