

Short Extendible Tail Hoist

OX Series



- Combines the versatility of an outside rail hoist with the flexibility of an extendable tail
- Auto fold DOT bumper standard on all models
- Give operators the option of loading in areas with low overhead clearance
- Inside controls standard reducing the chance of driver injury
- Durable rear hinge designed to withstand the stress of grueling day after day use



The Galfab Advantage



Outboard Supported Side Rollers

Greasable roller shaft is removable with two bolts.



Low Loading Angle

A forty inch tail provides a low loading angle and allows for a DOT/ICC fold up bumper.

Standard Features

- 8 x 4 x 1/2" Tube Main Frame
- 4 x 3 x 3/16" Tube Sub Frame
- 2 1/2" Diameter Rear Hinge
- All Working Points Greasable
- 1" Spring Loaded Container Locks
- 2 1/2" Diameter Lift Cylinder Shafts
- 10" Diameter Cable Sheaves
- 52 Gallon Oil Reservoir
- Suction Screen and Return Filter
- Inside and Outside Controls
- Sealed Lighting System

Options

- Behind Cab and Oversize Oil Tanks
- Tool Boxes
- Auxiliary Stops
- Poly or Steel Fenders
- Tarping Systems
- Hooker Hold On Systems
- Ratchet Tie Down Straps
- Pintle Hook
- Front Mount Pump
- PTO
- Drop Shaft



Auto Fold Bumper (Hoist Down)

Bumper extends downward to normal position in the hoist down position.



Auto Fold Bumper (Hoist Up)

Bumper folds forward reducing the chance of bending and hang-ups in the landfill.

DISTRIBUTED BY:

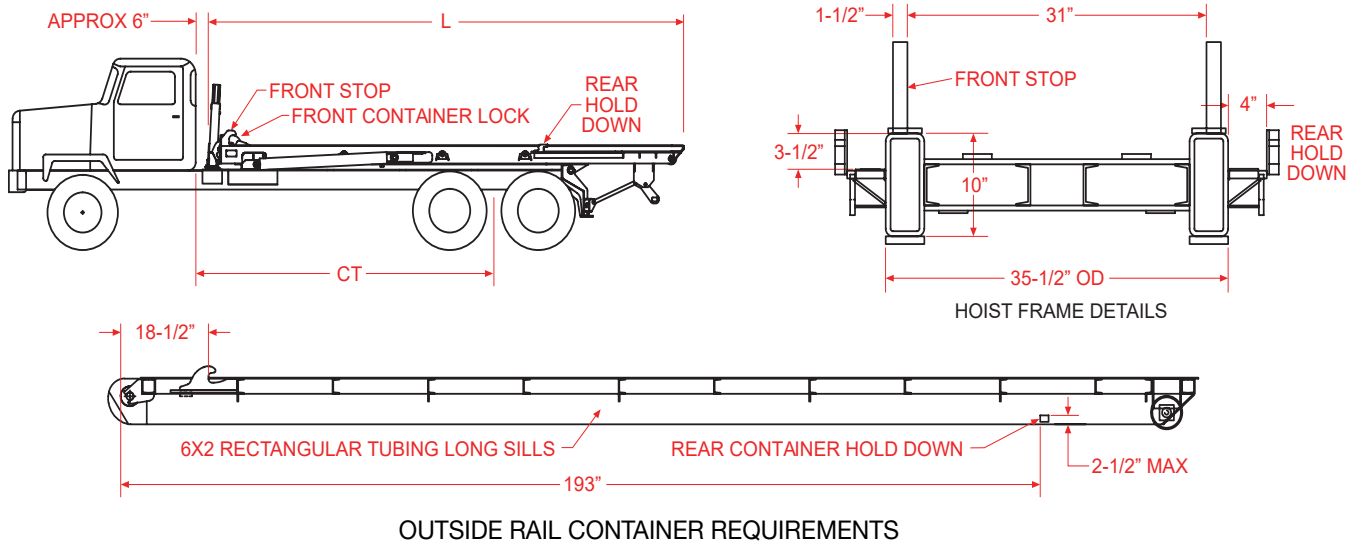


612 West 11th Street Winamac, IN 46996
(877) 504-1622

galfab.com



Short Extendible Tail Hoist ox Series



Model	Rated Cap.	CT	L	Dump Angle	Up (Sec.)*	Down (Sec.)*	On (Sec.)*	Off (Sec.)*	Lift Cylinder	Winch Cylinder	Container Length
OX 60174 S074.5	60,000#	174"	22' 11"	48 deg.	30	13	46	37	6" - 4 1/2" x 74" DA	7" - 3" x 81 1/2" DA	18' to 22'
OX 60174 T121	60,000#	174"	22' 11"	48 deg.	43	10	46	37	6" - 5" - 4" x 121" DAT	7" - 3" x 81 1/2" DA	18' to 22'
OX 60194 T121	60,000#	194"	25' 5"	48 deg.	43	10	51	42	6" - 5" - 4" x 121" DAT	7" - 3" x 91 1/2" DA	20' to 24'
OX 60194 T083	60,000#	194"	25' 5"	48 deg.	30	13	46	37	5" - 4" x 83" DAT	7" - 3" x 91 1/2" DA	20' to 24'
OX 60194 T114	60,000#	194"	25' 5"	48 deg.	43	10	46	37	6" - 5" - 4" x 121" DAT	7" - 3" x 91 1/2" DA	20' to 24'
OX 60229 T130	60,000#	229"	31' 6"	46 deg.	60	24	72	59	6" - 5" - 4" x 130" DAT	7" - 3" x 91 1/2" DA	24' to 28'

* Cycle Times are Factory developed and controlled by PTO output, oil viscosity, human and mechanical efficiency, and may vary accordingly.

All dimensions are subject to steel and manufacturing tolerances.

CAUTION: This Equipment Should be Operated by Properly Trained Personnel. Improper Use, Misuse or Lack of Maintenance Could Cause Injury to Persons or Property. Photos used in this brochure are illustrative only. We reserve the right to make changes at any time without notice. Information contained within this literature is believed to be the most accurate available at the time of printing.

Additional Features



Tail with Rollers



Tail with Wings



3 Spool Valve with Mounting Bracket



612 West 11th Street Winamac, IN 46996
(877) 504-1622

galfab.com

