



Outside Rail Hoist

Standard Features

- 8" x 4" x 1/2" Tube Main Frame
- 2 1/2" Diameter Rear Hinge
- Pintle Ready Apron
- Auto Fold Forward DOT Bumper
- 1" Spring Loaded Container Locks
- 2 1/2" Diameter Lift Cylinder Shafts
- 12" Diameter Vertical Sheave
- 12" Sheave Blocks
- 48 Gallon Oil Reservoir
- Inside and Outside Controls
- Sealed Lighting System
- Forward & Reverse Mount Lift Cylinders

Options

- Behind Cab and Oversize Oil Tanks
- Tool Boxes
- Auxiliary Stops
- Poly or Steel Fenders
- Tarping Systems
- "The Hooker" Hold On System
- Ratchet Tie Down Straps
- Pintle Hook
- Front Mount Pump
- PTO
- Drop Shaft
- On Board Scale Systems
- Work Lights
- Rear View Camera Systems

The Galfab Advantage

Outboard Supported Side Rollers

Greasable Roller shaft is removable with two bolts for ease of replacement and maintenance.



Container Long Sill Support Rails

Rails aid in loading misaligned containers and give added support to the long sills increasing the life of your container.



Autofold DOT Bumpers

Bumper folds forward reducing the chance of bending and hang-ups in the landfill.

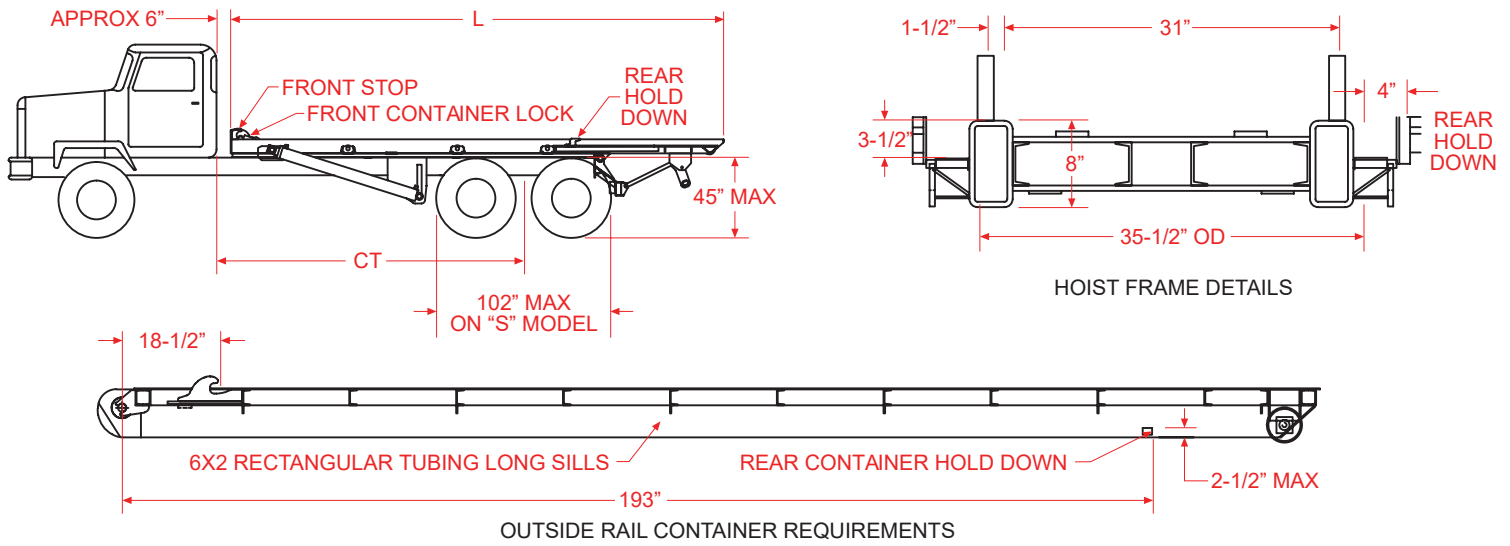


Rear Ground Roller Cover

Standard on all Outside Rail Hoists making it easier to load and unload containers.



Specifications



Model	Rated Cap.	CT	L	Dump Angle	Up (Sec.)*	Down (Sec.)*	On (Sec.)*	Off (Sec.)*	Lift Cylinder	Winch Cylinder	Container Length	Appx. Weight
OR 60174 S072	60,000#	174"	23' 3"	48 deg.	29	15	46	37	6" - 4" x 72" DA	7" - 3" x 79 1/2" DA	18' to 22'	7550#
OR 60174 S072R	60,000#	174"	23' 3"	48 deg.	29	15	46	37	6" - 4" x 72" DA	7" - 3" x 79 1/2" DA	18' to 22'	7550#
OR 60174 T121	60,000#	174"	23' 3"	48 deg.	49	20	46	37	6" - 5" x 4" x 121" DAT	7" - 3" x 79 1/2" DA	18' to 22'	7225#
OR 60194 T121	60,000#	194"	24' 11"	48 deg.	49	20	50	40	6" - 5" x 4" x 121" DAT	7" - 3" x 89 1/2" DA	20' to 24'	8075#
OR 75174 T121	75,000#	174"	23' 3"	48 deg.	49	20	46	37	6" - 5" x 4" x 121" DAT	7" - 3" x 79 1/2" DA	18' to 22'	7350#
OR 75194 T121	75,000#	194"	24' 11"	48 deg.	49	20	50	40	6" - 5" x 4" x 121" DAT	7" - 3" x 89 1/2" DA	20' to 24'	8200#
OR 75174 S072F7	75,000#	174"	23' 3"	48 deg.	29	15	46	37	7" - 4" x 72" DA	7" - 3" x 79 1/2" DA	18' to 22'	7550#
OR 75174 S072R7	75,000#	174"	23' 3"	48 deg.	29	15	46	37	7" - 4" x 72" DA	7" - 3" x 89 1/2" DA	18' to 22'	7550#
OR 75194 S072F7	75,000#	194"	24' 11"	48 deg.	29	15	46	37	7" - 4" x 72" DA	7" - 3" x 89 1/2" DA	20' to 24'	7850#
OR 75194 S072R7	75,000#	194"	24' 11"	48 deg.	29	15	46	37	7" - 4" x 72" DA	7" - 3" x 89 1/2" DA	20' to 24'	7850#

* Cycle Times are Factory developed and controlled by PTO output, oil viscosity, human and mechanical efficiency, and may vary accordingly.

CAUTION: This Equipment Should be Operated by Properly Trained Personnel. Improper Use, Misuse or Lack of Maintenance Could Cause Injury to Persons or Property. Photos used in this brochure are illustrative only. We reserve the right to make changes at any time without notice. Information contained within this literature is believed to be the most accurate available at the time of printing.



612 West 11th Street
Winamac, IN 46996
(877) 504-1622

