



Heavy Duty Above Frame Hoist AF Series

- 10" x 4" x 3/8" Mainframe
- 1/2" x 3 1/2" wear strip on top of mainframe tube and 1/2" x 3 1/2" stiffener on bottom of tube which makes the 3/8" tube stronger and lighter than a 1/2" tube.
- Outboard Mounted Lift Cylinders
- 50 Degree Dump Angle
- 60,000 and 75,000 lb. Capacity
- Dual Reaving Cylinders
- Originally designed and introduced for CNG and LNG applications. AF Hoist is a great choice for 4 and 5 axle applications.
- 2500 psi Operating Pressure

The Galfab Advantage

Outboard Mounted Lift Cylinders



Designed to cut overall wear on the hoist, cylinders, and chassis frame, increasing its life and reducing maintenance costs.

The "Tricep"™ Vertical Lift Assist

Galfab's "Tricep"™ Patent# 9,630,546 is our innovative solution to today's above frame application.

The Tricep allows our AF to operate at standard operating pressures not exceeding 2500 psi.

Equally important, The Tricep enables us to build a hoist with dual reaving cylinders and outboard mounted lift cylinders significantly reducing cylinder failure and life-cycle cost of the hoist.

Since its introduction to the market, Galfab's AF hoist has proven to be the most durable and reliable above frame on the market.



Container Long Sill Support Rails



Rails aid in loading misaligned containers and give added support to the long sills increasing the life of your container.

Outboard Supported Side Rollers



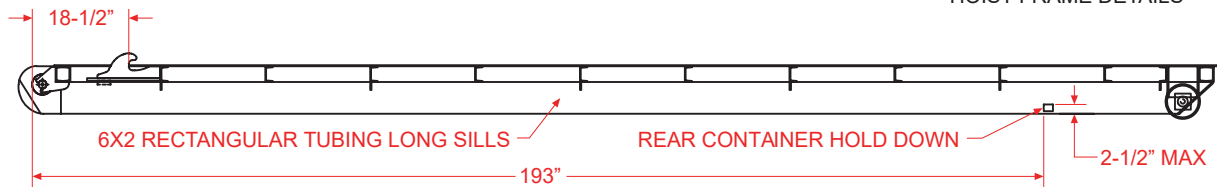
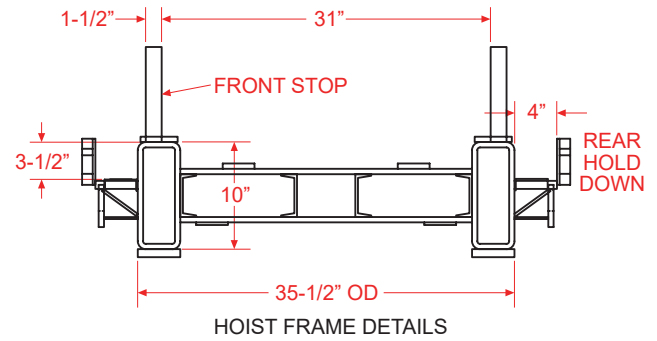
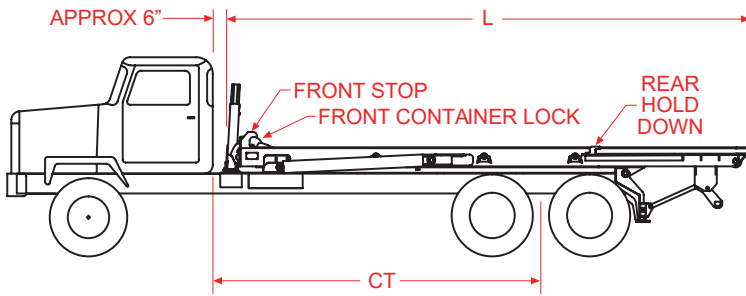
Greasable Roller shaft is removable with two bolts for ease of replacement and maintenance.

Autofold DOT Bumpers



Bumper folds forward reducing the chance of bending and hang-ups in the landfill.

Specifications



OUTSIDE RAIL CONTAINER REQUIREMENTS

| Model | Rated Cap. | CT | L | Dump Angle | Up (Sec.)* | Down (Sec.)* | On (Sec.)* | Off (Sec.)* | Lift Cylinder | Winch Cylinder | Container Length | Appx. Weight |
|---------------|------------|------|--------|------------|------------|--------------|------------|-------------|------------------|----------------------|------------------|--------------|
| AFOR60174S069 | 60,000# | 178" | 24' 4" | 50 deg. | 36 | 20 | 41 | 31 | 6" - 4" x 69" DA | 6" - 3" x 81 1/2" DA | 18' to 22' | 7400# |
| AFOR60194S069 | 60,000# | 198" | 26' 0" | 50 deg. | 36 | 20 | 46 | 35 | 6" - 4" x 69" DA | 6" - 3" x 91 1/2" DA | 20' to 24' | 7550# |
| AFOR75174S069 | 75,000# | 178" | 24' 4" | 50 deg. | 36 | 20 | 41 | 31 | 6" - 4" x 69" DA | 6" - 3" x 81 1/2" DA | 18' to 22' | 7400# |
| AFOR75194S069 | 75,000# | 178" | 24' 4" | 50 deg. | 36 | 20 | 41 | 31 | 6" - 4" x 69" DA | 6" - 3" x 81 1/2" DA | 18' to 22' | 7400# |
| AFEX60174S069 | 60,000# | 178" | 24' 4" | 50 deg. | 36 | 20 | 41 | 31 | 6" - 4" x 69" DA | 6" - 3" x 81 1/2" DA | 18' to 22' | 7400# |
| AFEX60194S069 | 60,000# | 198" | 26' 0" | 50 deg. | 36 | 20 | 46 | 35 | 6" - 4" x 69" DA | 6" - 3" x 91 1/2" DA | 20' to 24' | 7550# |
| AFHH50174S069 | 50,000# | 178" | 24' 4" | 50 deg. | 36 | 20 | 41 | 31 | 6" - 4" x 69" DA | 6" - 3" x 81 1/2" DA | 18' to 22' | 7400# |
| AFHH50194S069 | 50,000# | 198" | 26' 0" | 50 deg. | 36 | 20 | 46 | 35 | 6" - 4" x 69" DA | 6" - 3" x 91 1/2" DA | 20' to 24' | 7550# |

* Cycle Times are Factory developed and controlled by PTO output, oil viscosity, human and mechanical efficiency, and may vary accordingly.

All dimensions are subject to steel and manufacturing tolerances.

CAUTION: This Equipment Should be Operated by Properly Trained Personnel. Improper Use, Misuse or Lack of Maintenance Could Cause Injury to Persons or Property. Photos used in this brochure are illustrative only. We reserve the right to make changes at any time without notice. Information contained within this literature is believed to be the most accurate available at the time of printing.

Standard Features

- 12" Diameter Vertical Front Sheave
- 10" Diameter Horizontal Sheaves
- 12" Diameter Sheave Blocks
- 25 Gallon Oil Reservoir
- Suction Screen and Return Filter
- Inside and Outside Controls
- LED Lighting System
- 10 x 4" Tube Main Frame
- Main Frame Wearstrips
- 3x3 Subframe
- 2 1/2" Diameter Rear Hinge
- All Working Points Greasable
- 1" Spring Loaded Container Stops
- 2 1/2" Diameter Lift Shaft

Options

- Pintle Hook Options
- Front Mount Pump
- PTO
- Drop Shaft
- On Board Scale Systems
- Work Lights
- Rear View Camera Systems
- Behind Cab and Oversize Oil Tanks
- Tool Boxes
- Auxiliary Stops
- Poly or Steel Fenders
- Tarping Systems
- "The Hooker" Hold On System
- Ratchet Tie Down Straps



612 West 11th Street
Winamac, IN 46996
(877) 504-1622

